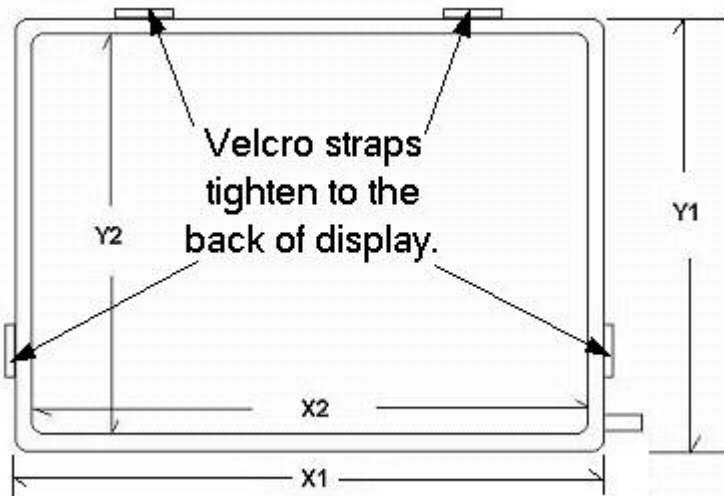




### Magic Touch Add-On Kit KTMT-154W



X1 = 13.78" (350 mm), Y1 = 8.98" (228 mm), X2 = 13.2" (335 mm), Y2 = 8.39" (213 mm),

Thickness = 0.4" (10.27 mm).



Add-on touch screen for 15.4" widescreen notebook computer.



USB-XD controller for USB port interface. Black or beige color.



ProE-X controller for serial port interface. Black or beige color.



Connection cable between touch screen and controller. Extension cable available.

Part Number	Port Required	Color	Included Drivers
KTMT-154W-USB	USB	Black	Windows 98, ME, 2000, XP, Vista, Linux.
KTMT-154W-ProE	Com1 or Com2	Black	Windows 95, NT4.0, 98, ME, 2000, XP, Vista, Linux.
KTMT-154W-USB-M	USB	Black	Mac OS 9-10. Free <a href="#">download</a> Windows/Linux drivers.
Accessories Included	Driver CD, User's Manual, Stylus, Cleaning Cloth, Warranty Card.		
Warranty	Touch Screen Panel: 1-year parts/labor plus 2 more years labor only. Controller: 3-year parts/labor.		
Support	Life-time free technical support and driver upgrade.		

#### SPECIFICATION:

<b>TECHNOLOGY</b>	Resistive analog touch screen.
<b>SPACER</b>	Invisible spacer - patented technology
<b>LIGHT TRANSMISSION</b>	80% nominal
<b>SCRATCH RESISTANCE</b>	3H pencil hardness.
<b>TOUCH RESOLUTION</b>	4096 x 4096 (USB-XD) or 4096 x 4096 (ProE-X)
<b>INTERFACE CONTROLLER</b>	External controllers: PC - USB port or serial port. Apple - USB port.
<b>OPERATING SYSTEMS</b>	Windows 95, 98, ME, 2000, XP, Vista, NT4.0., Linux, Apple OS 9 to 10.
<b>DRIVER</b>	Mouse emulation driver.
<b>ACTIVATION FORCE</b>	50-120 grams per square centimeter.
<b>RESPONSE TIME</b>	10 msec maximum.
<b>POSITION ACCURACY</b>	3 mm maximum error.
<b>TOUCH MODE</b>	Mouse click, double click, drag, right click.
<b>OPERATING TEMPERATURE</b>	-10 to 70 degrees C.
<b>STORAGE TEMPERATURE</b>	-30 to 85 degrees C.
<b>HUMIDITY</b>	Pass 40 degrees C, 95% RH for 96 hours.
<b>CHEMICAL RESISTANCE</b>	Excellent to alcohol, acetone, grease, and general household detergent.
<b>DURABILITY</b>	3,000,000 touches per point minimum.